

# EM-900 WA User Manual



## What's Inside:

- EM-900 WA (with built-in rechargeable battery.)
- AC-2P power adaptor
- Cradle

## What's needed:

- 900 MHz spread spectrum transmitters
- Sensors (See list in Addendum A)

## Important! Please Read This Page

Thank You for Purchasing *The EM-900 WA* from USP!

USP has made every effort to make *The EM-900 WA* the finest Monitoring System on the market today. However, for your safety, please take the following precautions when using *The EM-900 WA*:

- For High or Low Risk Patients, the EM-900 WA should be tested regularly to ensure proper notification and awareness of patients whereabouts in case of actual emergency situation when activated by the WPT-900 transmitter or other compatible sensors. **This is your responsibility as the user of the product.**
- Certain structures within a household may block the transmitter signal. It is up to the user to test the transmitter within the area of use to determine if dead areas exist, and where they are located.
- Holding the transmitter next to your body or the ground while in use may decrease the range of the transmitter signal. For High Risk patients, the pendant may be worn on the ankle, which should activate the Wanderer Alert when patient wanders more than 50 feet from dialer unit.
- Using *The EM-900 WA* does not guarantee that you will contact or receive help. *The EM-900 WA* is only an aid to assist you in alerting proper personal of patients moving out of range so the staff can quickly respond to the alarm.
- The transmitter should be tested frequently to protect against undetected interference or fault.
- For U.S. installations only: *The EM-900 WA* is required to comply with Part 15 of the FCC Rules and regulations. As such, it has limited transmitter power and therefore limited range.
- The monitoring system cannot respond to more than one transmitted signal at a time and may be blocked by radio signals that occur on or near their operating frequencies, regardless of code setting.

- Changes or modifications to the device may void FCC compliance.

**NOTE:** This equipment has been tested and found to comply with the limits for a Class B digital device, pursuant to Part 15 of the FCC Rules. These limits are designed to provide reasonable protection against harmful interference in a residential or commercial installation. This equipment generates, uses and can radiate radio frequency energy and, if not installed and used in accordance with instructions, may cause harmful interference to radio communications.

**VOLUME CONTROL, BATTERY ON/OFF SWITCH, AND AUXILIARY ALARM OUTPUT**

Removing the sliding door on the back will give you access to a 3-position slide switch, the transmitter program cable, and the 3-terminal connector block for interfacing with an automatic dialer or some other (low-voltage) device like a strobe light, external siren, etc.

**Putting the EM-900 WA on active duty requires that you do the following first:**

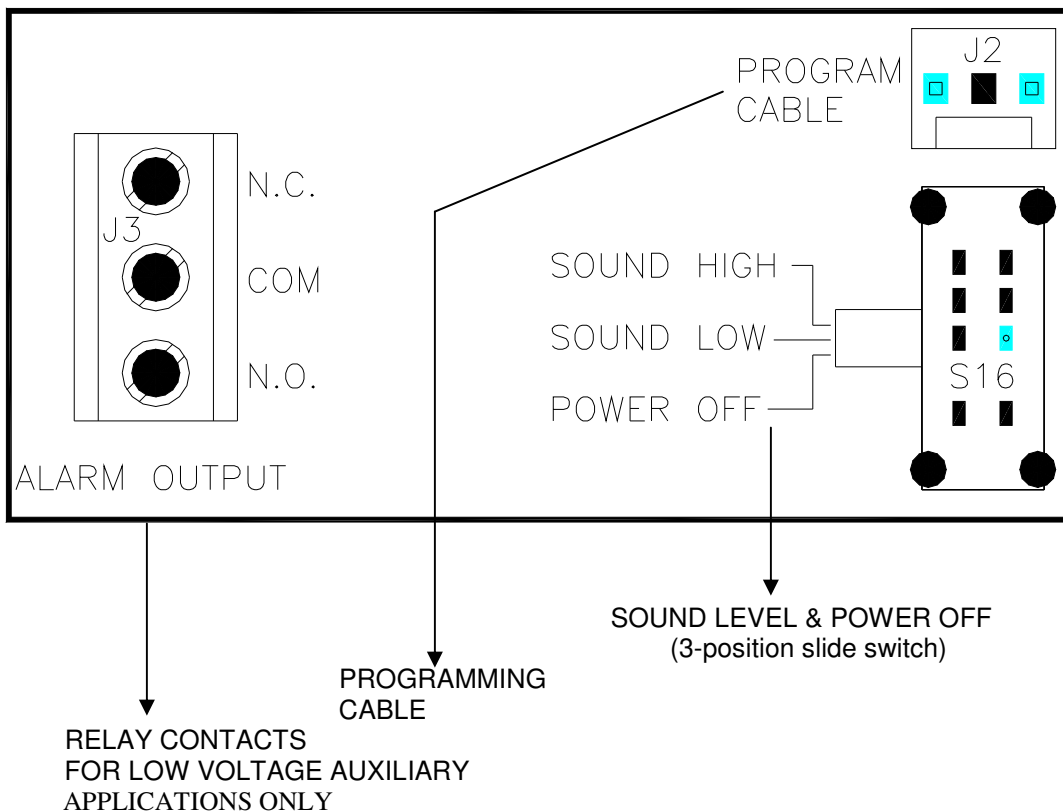
**Set the (chime) sound switch to either of 2 positions as desired:**

1. Center position for low sound level.
2. Upper position for high sound level.

Connect the AC-2P power supply adaptor to a live 120VAC outlet and plug the cable into the jack on the back of the (optional) cradle or directly into the power jack located on top of the EM-900 WA if no cradle is used. While charging, do not operate the EM-900 WA without the AC-2P adaptor. It may take up to 12 hours to fully charge the battery. Once charged you should be able to operate the EM-900 WA for several hours before you will hear a series of "beeps" indicating that the battery is running low, in which case you should immediately place the STATION back in its cradle or re-connect the AC-2P.

**CAUTION:** To avoid permanent damage only use power adaptor supplied with the EM-900 WA.

**Note:** When storing or transporting the EM-900 WA, make sure to set the switch to OFF.



## **Installing the EM-900 WA**

Find a preferred location not closer than 12” from heavy metal objects or reflective surfaces like mirrors. Placing the UNIT too close to metal obstructions could impair its ability to receive wireless signals from distant transmitters. Note: When not in the monitoring mode the UNIT will sound intermittent beeps to alert one to that condition.

### **Getting started.....**

Shortly after the EM-900 WA is powered up, the following message is displayed

EM-900 WA  
VERSION 1.16

### **PROGRAM Tx – program up to 40 STATIONS**

You must first prepare the EM-900 WA to make it operate with your selection of transmitter/sensor combinations. Up to 40 transmitters may be used with one EM-900 WA, each to be assigned a unique code (pre-programmed at the factory for ease of installation).

#### **CAUTION:**

Assigning the same code to more than 1 transmitter is generally not a good idea because:

- (a) Transmitters with identical codes must also be programmed to activate by the same type of contact (normally open contacts only)
- (b) More importantly, the EM-900 WA would not be able to determine if a transmitter with a duplicate code has become inactive or has been removed from the immediate area. Therefore, the concept of supervision will be meaningless. Note: It takes only one active transmitter within the detection range to keep the EM-900 WA from sounding the MISSING Tx alarm.

Next, you will be asked to select from one out of four choices

1 MON/NEW ENTRY  
2 ON-OFF/VU LOG

Press '1' to MONITOR all programmed transmitter stations or ENTER a new transmitter program for that station  
Press '2' to TURN STATION ON – OFF or VIEW STATION LOG

- (Press '1' to program a new transmitter station )

Screen will then display

1 MONITOR  
2 ADD TX/REVIEW

Press '1' to MONITOR [only if STATION(S) 01 – 40 have been previously programmed]  
Press '2' to ADD TRANSMITTER or REVIEW STATION'S PROGRAM

- (Press '2' to setup transmitter(s) with assigned code)

Screen will then display

1 ADD NEW TX  
2 REVIEW STATION

Press '1' to ADD a TRANSMITTER to a particular STATION  
Press '2' to REVIEW STATION (01 – 40) PROGRAM

- (Press '1' to add a new transmitter code to a selective station)

Screen will then display

ENTER STATION #:  
(01 - 40)

**If a mistake is made in setting up your transmitter, refer to page 10, “CHANGING A TX CODE” for corrections.**

Enter a number between 01 and 40 to assign a station in which to store the code for a particular transmitter.  
Note: If the assigned station is less than 2 digits, you must press star button after entry. You may assign stations in any order. Once a code is stored, it remains in memory even if power is removed.

**Example: Preparing a transmitter code and storing in an unused station.**  
**In any of the program stages if an incorrect character has been entered, you can simply press “R” to reenter information.**

Enter **01** (for STATION #: 01).  
Screen will then display

STATION #: 01

If no previous code is stored in station 01, the display will show

Screen will then display

STATION NOT  
PROGRAMMED!

Then

ENTER Tx CODE:  
(0000 - 9999)

Transmitters are PRE-PROGRAMMED at the factory for ease of installation. Have transmitter code available (located on side of transmitter housing) when setting up STATION. Keep a written record of codes stored.

Note: If the number entered is 4 digits or longer, the STATION will only accept the first 4 and automatically advances to the next step. If the number is less than 4 digits, you must press \* to continue.

Enter **1234** for this example

CODE: 1234

Then, after a short pause

CODE ENTERED!  
(PRESS 'M')

- (Press ‘M’ to store program)

By pressing the ‘M’ button you should hear 2 short ‘beeps’ simultaneous with the front light flashing, indicating that programming the transmitter is successful and complete. The EM-900 WA keeps a profile of all the codes programmed and can therefore determine while in the MONITORING mode which transmitter is tripped.

Followed by

NAME:MAX 11 CHAR  
THEN PRESS (\*)

## Enter the name of a location or any other description of less than 11 alpha characters

At this stage you're asked to enter alphabetic characters via the EM-900 WA keypad. Looking at the keypad, you'll notice the additional alphabetic letters printed on numeric keys 2 through 9. To enter a letter, press the corresponding key in quick succession in accordance with the placement of the character.

For example: for the letter "C" press the "2" key three times in a row. Use the "1" key for a space. In so doing you can construct a name in upper case style only not exceeding 11 characters. Note: By simply pressing the \* key, the name field will be left blank.

### Note:

Pressing the "0" key once will give you the exclamation (!) character.

Pressing the "0" key twice will give you the quotation (") character.

Pressing the "0" key 3 times will give you the pound (#) character.

Using this sequential method try entering the name "JOE SMITH".

**In any of the program stages if an incorrect character has been entered, you can simply press "R" to reenter information.**

**When you are finished with this process press the star key (\*), the screen will then display...**

01 : JOE SMITH

Then you are given a choice of

1 ACCEPT  
2 START OVER

Press '1' to ACCEPT STATION PROGRAM

Press '2' to START OVER from scratch

- (Press '1' if program was correctly entered)

Screen will then display

1 MON/NEW ENTRY  
2 ON-OFF/VU LOG

## **REVIEW STATION'S PROGRAM**

1 MON/NEW ENTRY  
2 ON-OFF/VU LOG

Press '1' to MONITOR or ENTER NEW PROGRAM

Press '2' to TURN STATION ON – OFF or VIEW STATION LOG

- (Press '1' to verify programmed entry)

Screen will then display

1 MONITOR  
2 ADD TX/REVIEW

Press '1' to MONITOR (only if STATION(S) 01 – 40 have been previously programmed)

Press '2' to ADD TRANSMITTER or REVIEW STATION'S PROGRAM

- (Press '2' to review program)

Screen will then display

1 ADD NEW TX  
2 REVIEW STATION

Press '1' to ADD a TRANSMITTER to a particular STATION

Press '2' to REVIEW STATION (01 – 40) PROGRAM

- (Press '2' to verify a particular station setup)

Screen will then display

ENTER STATION #:  
(01 - 40)

Enter **01** (for station 01).

Note: for a single digit station be sure to add a 0 before the number; (example: 08, 09)

Transmitter code will be displayed

1234

Followed by Location and Name

01 : JOE SMITH

Followed by station status

STATION ON

## ***MONITOR – Uninterrupted surveillance of alarm sensors***

1 MON/NEW ENTRY  
2 ON-OFF/VU LOG

Press '1' to MONITOR or ENTER NEW PROGRAM

Press '2' to TURN STATION ON – OFF or VIEW STATION LOG

- (Press '1' to begin monitoring process)

Screen will then display

1 MONITOR  
2 ADD TX/REVIEW

Press '1' to MONITOR (only if STATION(S) 01 – 40 have been previously programmed)

Press '2' to ADD TRANSMITTER or REVIEW STATION'S PROGRAM

- (Press '1' to have uninterrupted surveillance of alarm sensors)

Screen will then display

MONITORING!  
( 'M' TO CANCEL)

After properly programming the wireless grid of remotely located transmitters, the EM-900 WA is now ready to perform its duty of monitoring the following conditions:

- ALARM caused by tripping a remote sensor connected to its transmitter (only if ENABLED).
- Tx MISSING when a transmitter stops operating for more than 30 minutes in a row or is completely removed from the area under surveillance (only if ENABLED).
- LOW BATTERY of transmitter STATION when voltage drops below 2.5V (only if ENABLED).

Any of the following messages may appear during the monitoring phase.

ALARM!

Or

Tx MISSING!

Or

LOW Tx BATTERY!

## ***What you should do when the alarm is activated?***

When in alarm, the EM-900WA flashes a red light while sounding a two-tone chime (either high or low volume) and continues to do so until the "M" key is pressed. In case the transmitter is inoperative or is out of range (let's assume Joe Smith left the area for more than 3 minutes) the following sequence takes place:

TX MISSING!

After pressing the M key

6253: JOE SMITH

Pressing "M" key once more stops the alarm sound and light flashing. At this point it is assumed that you have taken notice of the patient's name and that appropriate action must be taken in the form of a physical search.

Following the next message, you will be given the option to use the EM-900WA as a portable signal detection unit to find the patient wandering away from the immediate area.

PERFORM SEARCH?  
YES (1) NO (2)

If YES, the following message is shown:

SEARCHING....  
( 'M' TO STOP)

Since the unit is battery operated, you may now remove the EM-900WA from its cradle and carry it with you in an attempt to locate the missing patient either inside or outside the premises.

**IMPORTANT:** Under normal operating conditions the unit should remain in its cradle to keep the battery at full capacity in the event that you need portable operation for several hours.

While searching, once you are within range of the missing transmitter, the following message appears along with a series chime tones (see notes below):

6253: JOE SMITH

Followed by

SIGNAL STRENGTH  
High, Medium, or Low

The above message only appears if you're within range. However, this is a somewhat subjective indication on how close you are to the transmitter, suggesting that you continue your search until the person wearing the pendant transmitter is visibly located.

### Note:

Pressing the 'M' button once more gives you the option to either stop or continue searching. Once you decide to stop the SEARCH mode, you may return to the MONITOR mode and the process starts all over.



If a low battery condition occurs, you will see the following message:

LOW TX BATTERY!

Then after pressing the M key

UNIT: 1

#### Notes

1. If for any reason the transmitter a stop sending its check-in code every 10 seconds or the person wearing it has stepped out range for more than three minutes, the **TX MISSING** alarm will be sounded. At this point, after confirming that indeed the transmitter is missing, you are given the opportunity to perform a SEARCH operation. Since the EM-900WA is equipped with a rechargeable battery, you simply carry the unit with you on foot or on the dashboard of a car and search the immediate area. If you are within a reasonable distance from the missing transmitter unit and you are not passing through the area at excessive speed, you should hear a series of beeps at 10 to 20 seconds intervals when you're within range, which depends on terrain and the presence of buildings and other objects that can block the signal path. Additionally, there will be an indication of signal strength that becomes consistently higher when you approach the transmitter or lower (and less frequent) when you move away.
2. The low battery alarm will be issued every 18 hours until the battery is replaced. Please do so as soon as possible to prevent the transmitter in question from becoming inactive in the days or weeks ahead.

## STATION ON/OFF

1 MON/NEW ENTRY  
2 ON-OFF/VU LOG

Press '1' to MONITOR or ENTER NEW PROGRAM

Press '2' to TURN STATION ON – OFF or VIEW STATION LOG

- (Press '2' to TURN STATION ON – OFF or VIEW STATION LOG)

This section is used to either turn STATION ON or STATION OFF. When disabled, (station off), all alarms from that particular transmitter will be ignored. For example, it may be necessary to occasionally turn that particular station off, disable a sensor from sending an alarm during maintenance or for any other reason.

ENTER STATION #:  
(01 - 40)

Enter **01** (for station 01).

STATION: 01

Screen will then display

1 STATION ON - OFF  
2 VIEW DATA LOG

Press '1' to CHANGE STATION CONFIGURATION from ON to OFF or OFF to ON

Press '2' to VIEW STATION LOG

- (Press '1' to verify STATION setup)

STATION ON

01 : JOE SMITH

Then you are given a choice of

TURN OFF?  
YES(1) NO(2)

Press '1' to TURN STATION OFF

Press '2' to leave STATION ON

- (Press '2' No, to leave STATION ON)

### **VIEW DATA LOG – Examining ALARM log, Tx MISSING log, and MISSED codes**

This data logging feature allows you to evaluate important information collected over time by storing:

- The total number of times each transmitter has been tripped. The maximum count is 99. Beyond 99 the display will show ">". You may reset the count to 0 at any time.
- The total number of times a transmitter is found to be missing when the receiver fails to record 30 check-in codes (in a row) sent at 1 minute intervals, causing the Tx MISSING counter to be incremented by one for each such occurrence. The maximum count is 99, which may be reset at any time.
- The highest number of missed check-in codes in a row of less than 30 recorded during the monitoring process. This is an important measure by which you can judge how reliable the wireless link is for individual transmitter Stations. Remember, a Tx MISSING alarm will be given if there are 30 missing check-in codes in a row. The maximum count is 30. Beyond 30 the display will show ">". You may reset the count to 0 at any time. As a rule of thumb, the largest number of missed codes for each transmitter should not exceed 15 over a 24-hour period. If it does, you may have to reduce the distance or change location of that particular transmitter to minimize the risk of false alarming.

Note: Data logging only applies to receiving channels that are enabled.

Screen will then display

1 MON/NEW ENTRY  
2 ON-OFF/VU LOG

Press '1' to MONITOR or ENTER NEW PROGRAM

Press '2' to TURN STATION ON – OFF or VIEW STATION LOG

- (Press '2' to TURN STATION ON – OFF or VIEW STATION LOG)

Screen will then display

ENTER STATION #:  
(01 - 40)

Enter **01** (for station 01).

STATION: 01

Screen will then display

1 STATION ON - OFF  
2 VIEW DATA LOG

Press '1' to CHANGE STATION CONFIGURATION<sup>10</sup> from ON to OFF or OFF to ON

Press '2' to VIEW STATION LOG

- (Press '2' to VIEW DATA LOG information)

Then, in sequence you'll see the following messages

MISSING TX LOG:

0

If there were 3 missed check-in codes in a row the display shows

3

RESET TO 0?  
YES(1) NO(2)

YES if you want the count to be reset to 0, otherwise it will remain in memory.

## ***Changing a transmitter code***

If a stored code needs to be changed, follow these steps.

**First go to initial setup prompt by scrolling through display or by simply turning power switch off and back on with adaptor unplug from unit. Identify the memory location of the transmitter code you wish to change.**

1 MON/NEW ENTRY  
2 ON-OFF/VU LOG

Press '1' to MONITOR or ENTER NEW PROGRAM

Press '2' to TURN STATION ON – OFF or VIEW STATION LOG

- (Press '1' to begin programming)

Screen will then display

1 MONITOR  
2 ADD TX/REVIEW

Press '1' to MONITOR (only if STATION(S) 01 – 40 have been previously programmed)

Press '2' to ADD TRANSMITTER or REVIEW STATION'S PROGRAM

- (Press '2' to setup transmitter(s) with assigned code)

Screen will then display

1 ADD NEW TX  
2 REVIEW STATION

Press '1' to ADD a TRANSMITTER to a particular STATION

Press '2' to REVIEW STATION (01 – 40) PROGRAM

- (Press '1' to add a new (or change) transmitter code to selective station)

ENTER STATION #:  
THEN (\*)

**Enter 01** (for station 01)

Go to memory location 01 which should contain code 1234 from previous example.

**Enter 01**

STATION:01

Shortly thereafter the previously stored code is displayed

1234

ENTER Tx CODE:  
THEN (\*)

To continue with the setup, refer to the "LOC" setup on the bottom of page 4.

You may now enter the new code, and re-program the designated transmitter.

**OR**

By simply pressing \* (star button) you will be asked

WIPE RECORD?  
YES(1) NO(2)

If YES, the previously stored record will be wiped and that location is pre-empted for future use.

Finally

DONE?  
YES(1) NO(2)

If NO you may continue programming additional transmitters (or changing codes) until memory is full or if YES you will exit the PROGRAM Tx mode and go to CONFIGURE.

**Important: Under normal operating conditions the STATION should remain in its recharging cradle to keep the battery at full capacity. This will allow portable operation when needed for up to four hours.**

YES to program the transmitter via program cable, resulting in the message

CONNECT Tx CABLE  
THEN...

Familiarize yourself with the procedure of connecting the 3-wire program cable (tucked inside the back compartment of the EM-900 WA) to a transmitter module. See pictures on the last page. First, remove the transmitter cover and look at the illustrations for the different models that can be used with the EM-900 WA. After you have correctly attached the cable, momentarily press the reset button shown in the pictures. You should hear 2 short 'beeps' simultaneous with the front light flashing, indicating that programming the transmitter is successful and complete. The EM-900 WA keeps a profile of all the codes programmed and can therefore determine while in the MONITORING mode which transmitter is tripped.

**CAUTION:** If you decide to press the 'M' TO CANCEL option instead of pushing the Tx reset button, even with the programming cable attached, the new code will not be stored inside the transmitter. Therefore, the EM-900 WA will not recognize any alarms from that particular transmitter.

PRESS Tx RESET  
OR 'M' TO CANCEL

## 6. PROGRAMMING TRANSMITTER STATIONS VIA THE 3-CONDUCTOR CABLE

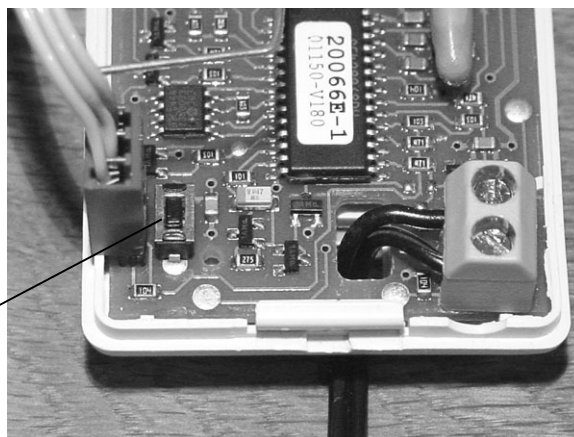


Figure 1 - Typical cable connection to a universal transmitter with cover off.

### Figure 2 – Close-up view of above transmitter hookup.

The 2-terminal connector on the right may be used with any dry contact sensor type so long as you correctly program the transmitter for either:

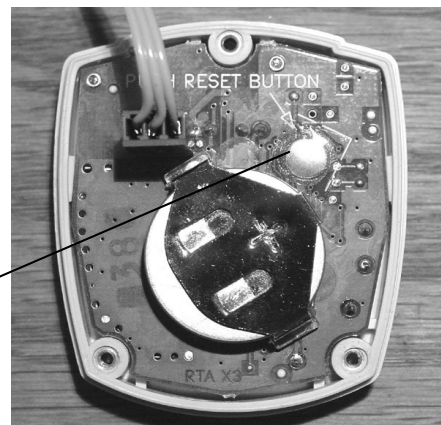
- a. Type 1 (N.O.) when the contact closes during alarm. This may be the case using a pressure mat to send the alarm when stepped on.
- b. Type 2 (N.C.) when the contact opens during alarm. In this application the same pressure mat may be used to send an alarm when pressure is removed.



RESET BUTTON

### Figure 3 – Typical pendant transmitter (cover removed).

Pendant transmitters like the one on the right are considered Sensor Type 1 (N.O.) devices and therefore you must enter that option only when programming its digital code as described in example 1. After programming, make sure to replace the watertight cover by uniformly tightening the 3 screws on the back. Do not apply excessive torque!



RESET BUTTON

## Addendum A

### List of Accessories:

| <u>Model</u>  | <u>Description</u>  |
|---|---|
| <b><u>Wanderer Alert Products Wireless 900MHz</u></b>                                 |   |
| <u>EM- 900 WA</u>   | <u>40 Patient Wanderer Alert Unit, Charge Cradle, AC adapter - * order WPT-900 separately"</u>              |
| <u>WPT-900</u>  | <u>Wireless Pendant Transmitter with extra wrist-ankle locking bands</u>                                    |
| <u>LWA-900</u>  | <u>Additional Patient Locator Unit with recharge cradle and AC Adapter</u>                                  |
| <u>WA-900</u>   | <u>Single Patient Wanderer Alert unit, Horn Strobe, Wireless Pendant, locking bands, AC adapter"</u>        |
| <u>LWA-900</u>  | <u>Patient Locator Unit, recharge cradle and AC Adapter"</u>  |
| <u>LBK-10</u>   | <u>Wrist - Ankle Locking bands pkg. of 10</u>   |
| <b><u>Emergency Response Products Wireless 900MHz Long Range</u></b>                  |   |
| <u>EM 900</u>   | <u>Nurse Alert 40 Patient Monitor System- Monitor, Charge Cradle &amp; AC adapter"</u>                      |
| <u>LP-900</u>   | <u>Pendant Transmitter with: Bed-Chair Cord, Wrist Band, Belt Clip, Necklace, Mount Clip, and Batteries</u> |
| <u>LT-900</u>   | <u>Universal Transmitter - complete with Mounting Clip, Velcro Strap and Batteries"</u>                     |
| <u>AT-900</u>   | <u>Automatic Man Down Transmitter - complete with Belt Clip, Mount Clip, Necklace and Batteries</u>         |
| <u>ERU-900</u>  | <u>ERU-900 Receiver/Dialer, Pendant Transmitter-wrist band, necklace, belt clip and AC adapter"</u>         |
| <u>LP-900</u>   | <u>Additional Pendant Transmitter</u>   |
| <u>LT-900</u>   | <u>Universal Transmitter for sensor pads w/ adapter cord for most types of sensors</u>                      |
| <u>AT-900</u>   | <u>Automatic Man Down Transmitter – with accessories -900MHz Long Range</u>                                 |
| <u>CE-900</u>   | <u>Wireless Enunciator Horn/Strobe</u>  |
| <u>ERCC-900</u>   | <u>P4-900 Wireless Remote, ER-900 Emergency Response Unit, CE-900 Enunciator, AC Adapter"</u>               |
| <u>P4-900</u>   | <u>Additional Wireless Remote Transmitter complete with batteries</u>                                       |
| <u>LT-900</u>   | <u>Universal Transmitter for sensor pads w/ adapter cord for most types of sensors</u>                      |
| <u>AT-900</u>   | <u>Man Down Transmitter - complete with Belt Clip, Mount Clip, Necklace and Batteries"</u>                  |
| <u>CE-900</u>   | <u>Additional Care Caller Enunciator unit</u>   |
| <u>ER-900</u>   | <u>Additional Emergency Response unit only</u>  |
| <u>CC-900</u>   | <u>Care Caller - Enunciator, Pendant Transmitter, Wrist Band, Necklace, Belt Clip, AC adapter."</u>         |
| <u>LP-900</u>   | <u>Additional Pendant Transmitter</u>   |
| <u>LT-900</u>   | <u>Universal Transmitter for sensor pads w/ adapter cord for most types of sensors</u>                      |
| <u>AT-900</u>   | <u>Automatic "Man Down" Transmitter - 900MHz - Long Range</u>   |
| <u>CE-900</u>   | <u>Additional Enunciator Unit</u>   |
| <b><u>Emergency Response Products Wireless 300MHz Long Range</u></b>                  |   |
| <u>EC-1</u>   | <u>Emergency Caller Unit, Pendant Transmitter, Cords and AC Adapter"</u>                                    |
| <u>TR-100</u>   | <u>Additional Pendant Transmitter – Extended Range</u>  |
| <u>TR-300</u>   | <u>Universal Transmitter for sensor pads w/ adapter cord for sensors - Extended Range</u>                   |
| <u>AT-300</u>   | <u>Automatic Man Down Transmitter with accessories - Extended Range</u>                                     |
| <u>CE-300</u>   | <u>Additional Enunciator unit - Extended Range</u>  |
| <u>CC-300</u>   | <u>Care Caller includes Enunciator, Pendant Transmitter, and AC adapter."</u>                               |
| <u>TR-100</u>   | <u>Additional Pendant Transmitter – Extended Range</u>  |
| <u>TR-300</u>   | <u>Universal Transmitter for sensor pads w/ adapter cord for sensors - Extended Range</u>                   |
| <u>AT-300</u>   | <u>Automatic Man Down Transmitter with accessories - Extended Range</u>                                     |
| <u>CE-300</u>   | <u>Additional Enunciator unit - Extended Range</u>  |
| <b><u>Fall Alert Complete Systems - 900 MHZ Long Range - includes accessories</u></b> |   |
| <u>FA-900- 1</u>  | <u>Bed/Rail System with LT-900 transmitter, Enunciator, 1" x 30" Sensor Strip Pad, AC Adapter"</u>          |
| <u>FA-900- 2</u>  | <u>Bed/Rail System with LT-900 transmitter, Enunciator, 2" x 30" Sensor Strip Pad, AC Adapter"</u>          |
| <u>FA-900- 3</u>  | <u>Wheelchair-Seat System with LT-900 transmitter, Enunciator, 9"x16" Sensor Pad, AC Adapter"</u>           |
| <u>FA-900- 4</u>  | <u>Bed System with LT-900 transmitter, Enunciator, 14" x 24" Sensor Pad, AC Adapter"</u>                    |
| <u>FA-900- 5</u>  | <u>Bed System with LT-900 transmitter, Enunciator, 18" x 24" Sensor Pad, AC Adapter"</u>                    |
| <u>FA-900- 6</u>  | <u>Floor System with LT-900 transmitter, Enunciator, 24" x 30" Sensor Pad, AC Adapter"</u>                  |

- FA-900- 7 Floor System with LT-900 transmitter, Enunciator, 24" x 36" Sensor Pad, AC Adapter"  
LT-900 Additional Universal Transmitter - Long Range 900 MHz  
FE-900 Additional Enunciator unit - Long Range 900 MHz  
LP-900 Pendant Transmitter with: Bed-Chair Cord, Wrist Band, Belt Clip, Necklace, Mount Clip, Batteries"  
AT-900 Automatic Man Down Transmitter - complete with Belt Clip, Mount Clip, Necklace and Batteries"  
UMT-900 Universal Miniature Transmitter; waterproof; selectable switch for open or closed sensor pads; Ideal for bathrooms, cabinets, floor mats etc. Compact version of universal transmitter -LT-900.  
MA-22 Adapter Module – adapts multiple Sensor Pads to single Universal Transmitter – 6ft cord - RJ-22  
**Fall Alert Complete Systems - Short Range - includes accessories**  
FA-300- 1 Bed/Rail System with TR-300 transmitter, Enunciator, 1" x 30" Sensor Strip Pad, AC Adapter"  
FA-300- 2 Bed/Rail System with TR-300 transmitter, Enunciator, 2" x 30" Sensor Strip Pad, AC Adapter"  
FA-300- 3 Wheelchair-Seat System with TR-300 transmitter, Enunciator, 9"x16" Sensor Pad, AC Adapter"  
FA-300- 4 Bed System with TR-300 transmitter, Enunciator, 14" x 24" Sensor Pad, AC Adapter"  
FA-300- 5 Bed System with TR-300 transmitter, Enunciator, 18" x 24" Sensor Pad, AC Adapter"  
FA-300- 6 Floor System with TR-300 transmitter, Enunciator, 24" x 30" Sensor Pad, AC Adapter"  
FA-300- 7 Floor System with TR-300 transmitter, Enunciator, 24" x 36" Sensor Pad, AC Adapter"  
TR-300 Additional Universal Transmitter - Extended Range  
FE-300 Additional Enunciator unit - Extended Range  
TR-100 Pendant Transmitter - Extended Range  
AT-300 Automatic Man Down Transmitter with accessories - Extended Range

UMT-300 Universal Miniature Transmitter- Extended Range; waterproof; selectable switch for open or closed sensor pads; ideal for bathrooms, cabinets, floor mats etc. Compact version of universal transmitter TR-300.

MA-22 Adapter Module –adapts multiple Sensor Pads to single Universal Transmitter – 6ft cord - RJ-22  
**PATIENT ALERT Fall Prevention System - Direct Wire 8 ft. cable**

- PA-1 Patient Alert unit, 1" x 30" Strip sensor pad, accessories"  
PA-2 Patient Alert unit, 9" x 16" Wheelchair/Seat sensor pad, accessories 4 ft. cable"  
PA-3 Patient Alert unit, 14" x 24" Bed/Floor sensor pad, accessories"  
PA-4 Patient Alert unit, 18" x 24" Bed/Floor sensor pad, accessories"  
PA-5 Patient Alert unit, 24" x 30" Bed/Floor sensor pad, accessories"  
NCC-8 1/4" phone jack, 8ft.cable adapts Patient Alert to nurse call station"  
XC-25 Extension cable allows Patient Alert additional 25 ft. distance from sensor pads  
NCA-22 'Y' Adapter – adapts PA- (X) units and Nurse Call Button to Nurse Call Station; 1/4 mono  
PA Additional Patient Alert Enunciator

**Lifetime Sensor Pads P-22 Series 8 ft. cord, RJ-22 connector**

- P-1- 22 Strip Sensor Pad Size: 1"x 30" Mounts to bed edge/ rails. Etc  
P-2- 22 Strip Sensor Pad Size: 2"x 30" Mounts beds, chairs, surfaces, floor, etc."  
P-3- 22 Bed Sensor Pad Size: 14"x 24" Mounts on bed mattress, bathtub, toilet, etc"  
P-4- 22 Bed / Floor Sensor Pad Size: 18"x 24" Mounts on mattress or floor, shower, etc."  
P-5- 22 Bed / Floor Sensor Pad Size: 24"x 30" Mounts on mattress or floor. Indoor-Outdoor, etc"  
P-6- 22 Wheelchair-Seat Sensor Pad Size: 9"x 16" Mounts on Wheelchair and other seats, 4 ft. cord"  
P-7- 22 Chair-Seat Sensor Pad Size: 6"x 24" Mounts on narrow seating area and surfaces  
P-8- 22 Floor Sensor Pad Size: 24"x 36" Mounts on floors, etc. - detects exit/entry or fallen patients"  
P-9- 22 Floor Sensor Pad Size: 24"x 60" Mounts on floors, etc. - large area detection"  
P-10- 22 Corrugated Floor Sensor Pad Size: 24"x 36" Mounts on floors, etc. - Industrial duty"  
P-11- 22 Corrugated Floor Sensor Pad Size: 24"x 60" Mounts on floors, etc. - large area Industrial duty"  
P-12-22 Toilet sensor strip (1"x 3") mounts under toilet seat; detects patients weight sitting down or rising.  
P-13-22 Incontinence sensor Pad (4"x6") mounts beneath sheet in bed or under light cloth on chair. Signals when small amounts of moisture are detected. Detects incontinence, spills and splashes.

**Lifetime Sensor Pads XP Series - Built in Transmitter - 900 MHz**

- XP-1-900 Strip Sensor Pad - 900MHz Transmitter<sup>16</sup> Sensor Strip Size: 1"x 30"  
XP-2-900 Strip Sensor Pad - 900MHz Transmitter Sensor Strip Size: 2"x 30"



XP-3-900 Bed Sensor Pad - 900MHz Transmitter Sensor Pad Size: 14"x 24"  
XP-4-900 Bed Sensor Pad - 900MHz Transmitter Sensor Pad Size: 18"x 24"  
XP-5-900 Bed/Floor Sensor Pad - 900MHz Transmitter Sensor Pad Size: 24"x 30"  
XP-6-900 Wheelchair-Seat Sensor Pad - 900MHz Transmitter Sensor Pad Size: 9"x 16"  
XP-7-900 Chair-Seat Sensor Pad - 900MHz Transmitter Sensor Pad Size: 6"x 24"  
XP-8-900 Floor Sensor Pad - 900MHz Transmitter Sensor Pad Size: 24"x 36"  
XP-9-900 Floor Sensor Pad - 900MHz Transmitter Sensor Pad Size: 24"x 60"  
XP-10-900 Corrugated Floor Sensor Pad - 900MHz Transmitter Sensor Pad Size: 24"x 36"  
XP-11-900 Corrugated Floor Sensor Pad - 900MHz Transmitter Sensor Pad Size: 24"x 60"  
XP-12-900 Toilet sensor strip (1" x 3") mounts under toilet seat; detects patients weight sitting down or rising.

XP-13-900 Incontinence sensor Pad (4"x6") mounts beneath sheet in bed or under light cloth on chair.  
*Signals when small amounts of moisture are detected. Detects incontinence, spills and splashes.*

**Lifetime Sensor Pads XP Series - Built in Transmitter - Short Range**

XP-1-300 Strip Sensor Pad - Extended Range Transmitter Sensor Strip Size: 1"x 30"  
XP-2-300 Strip Sensor Pad - Extended Range Transmitter Sensor Strip Size: 2"x 30"  
XP-3-300 Bed Sensor Pad - Extended Range Transmitter Sensor Pad Size: 14"x 24"  
XP-4-300 Bed Sensor Pad - Extended Range Transmitter Sensor Pad Size: 18"x 24"  
XP-5-300 Bed/Floor Sensor Pad - Extended Range Transmitter Sensor Pad Size: 24"x 30"  
XP-6-300 Wheelchair-Seat Sensor Pad - Extended Range Transmitter Sensor Pad Size: 9"x 16"  
XP-7-300 Chair-Seat Sensor Pad - Extended Range Transmitter Sensor Pad Size: 6"x 24"

XP-8-300 Floor Sensor Pad - Extended Range Transmitter Sensor Pad Size: 24"x 36"  
XP-9-300 Floor Sensor Pad - Extended Range Transmitter Sensor Pad Size: 24"x 60"  
XP-10-300 Corrugated Floor Sensor Pad - Extended Range Transmitter Sensor Pad Size: 24"x 36"  
XP-11-300 Corrugated Floor Sensor Pad - Extended Range Transmitter Sensor Pad Size: 24"x 60"  
XP-12-300 Toilet sensor strip (1" x 3") mounts under toilet seat and detects patients weight sitting down Or rising from seat. Extended Range Transmitter.

XP-13-300 Incontinence sensor Pad (4"x6") mounts beneath sheet in bed or under light cloth on chair.  
*Signals when small amounts of moisture are detected. Detects incontinence, spills and splashes.*

AVD-45be Automatic Voice Dialer with cables and AC Adapter  
CELL-1 Cell Phone Adapter - operates with all Emergency Auto Voice Dialer products  
PP-1 Battery Back up pack - recharging - up to 24 hour standby power  
CJ22-S Cord RJ-22 to spade lugs. Adapts Universal Transmitters to most types of sensors. 6ft. length  
CJ22-SP All purpose sensor for Doors/Windows, cabinets, toilets, etc. (NC) Complete with CJ22-S cord  
LR-900 Intelligent Repeater for Extending Range.  
LTS Low Temperature Switch- Switch opens 35°  
HTS High Temperature Switch- Switch opens 120°  
UTM-22 'Y' connection to sensor pad, patient alert and Universal Miniature transmitters

**Automatic Voice Dialers**

AD2000- Hard-wired, phone or page 8 numbers. Leave a special message. (Other models available.)

United Security Products, Inc.  
 13250 Gregg Street Suite B  
 Poway, CA 92064  
 (800) 227-1592 (858) 597-6677 Fax: (858) 455-0036 E-Mail: usp@unitedsecurity.com

Last update: 05/03/04



United Security Products, Inc.

## EM-900 WA Planner

| Station     | Location | Reference Tx Code | Name or Description |
|-------------|----------|-------------------|---------------------|
| STATION# 1  | 01       | 1234              | JOE SMITH           |
| STATION# 2  |          |                   |                     |
| STATION# 3  |          |                   |                     |
| STATION# 4  |          |                   |                     |
| STATION# 5  |          |                   |                     |
| STATION# 6  |          |                   |                     |
| STATION# 7  |          |                   |                     |
| STATION# 8  |          |                   |                     |
| STATION# 9  |          |                   |                     |
| STATION# 10 |          |                   |                     |
| STATION# 11 |          |                   |                     |
| STATION# 12 |          |                   |                     |
| STATION# 13 |          |                   |                     |
| STATION# 14 |          |                   |                     |
| STATION# 15 |          |                   |                     |
| STATION# 16 |          |                   |                     |
| STATION# 17 |          |                   |                     |
| STATION# 18 |          |                   |                     |
| STATION# 19 |          |                   |                     |
| STATION# 20 |          |                   |                     |
| STATION# 21 |          |                   |                     |
| STATION# 22 |          |                   |                     |
| STATION# 23 |          |                   |                     |
| STATION# 24 |          |                   |                     |
| STATION# 25 |          |                   |                     |
| STATION# 26 |          |                   |                     |
| STATION# 27 |          |                   |                     |
| STATION# 28 |          |                   |                     |
| STATION# 29 |          |                   |                     |
| STATION# 30 |          |                   |                     |
| STATION# 01 |          |                   |                     |
| STATION# 32 |          |                   |                     |
| STATION# 33 |          |                   |                     |
| STATION# 34 |          |                   |                     |
| STATION# 35 |          |                   |                     |
| STATION# 36 |          |                   |                     |
| STATION# 37 |          |                   |                     |
| STATION# 38 |          |                   |                     |
| STATION# 39 |          |                   |                     |
| STATION# 40 |          |                   |                     |



